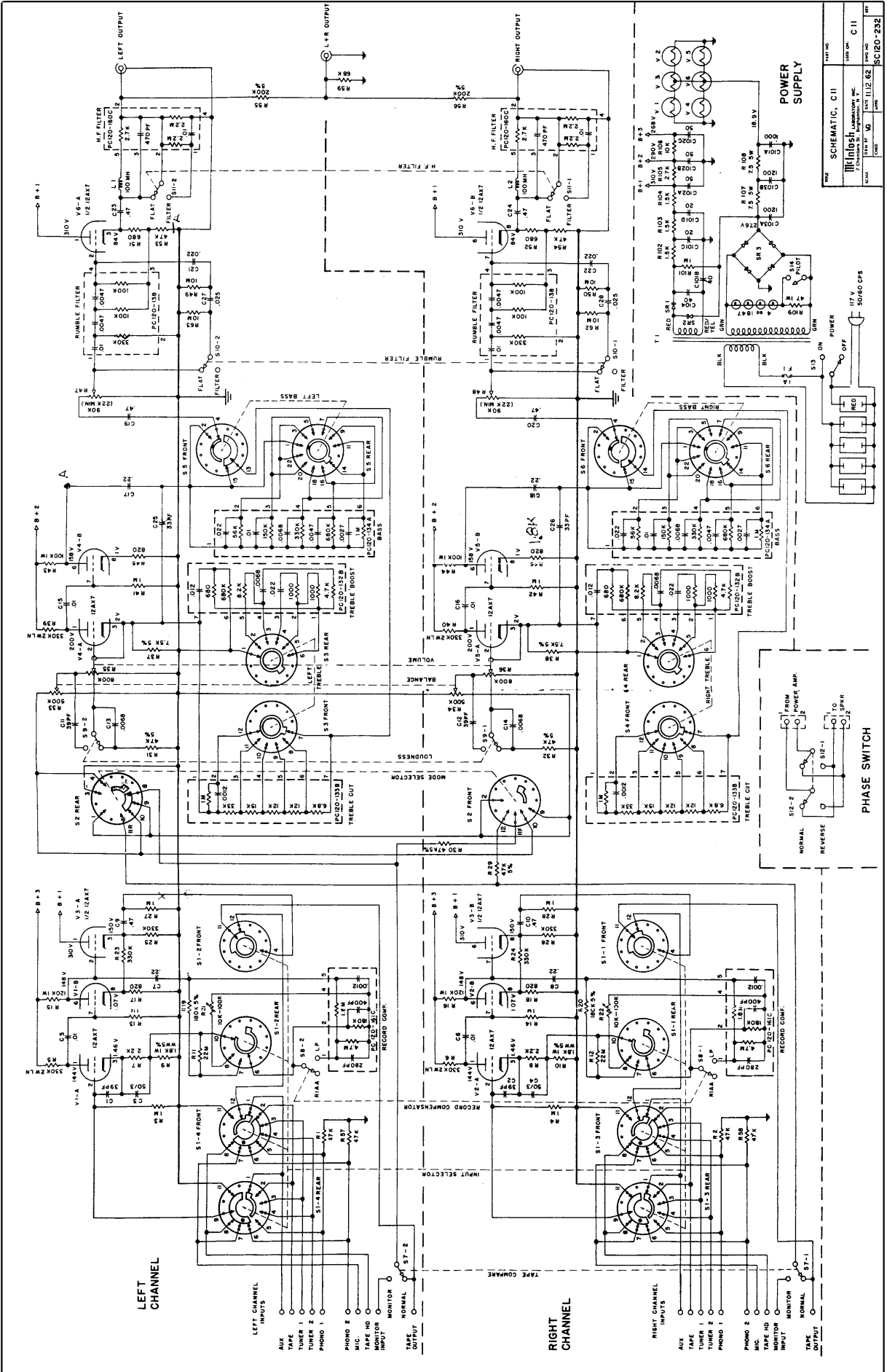


C11 Schematic
Schematic No. SC120-232



DATE	REV	BY	CHKD
SCHEMATIC, C11			
InfoSoft Corporation, Inc.			
2000 W. 10th Street, Suite 100			
Tulsa, Oklahoma 74104			
SCALE	DATE	FILE	NO.
	11/12/82	SC120-232	C11
APP			